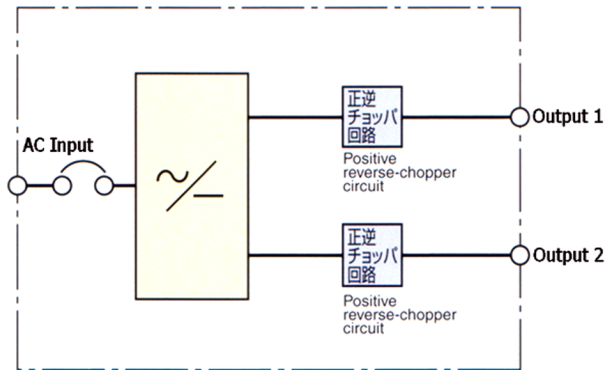


## PULSE REVERSE RECTIFIER

High-speed PR (Positive-Reverse Changeover) Power Supply



1. Easy mounting for horizontal plating line.  
(Can be mounted near plating tank)
2. Equipped with dual output, designed for simultaneous double-sided plating of PCB.
3. Built-in Ampere Hour Meter.
4. 3 type of output patterns: DC, Pulse and PR
5. Line-up: There are two types; 150A and 250A.
6. Centralized contro *DeviceNet*. and **PROFIBUS**